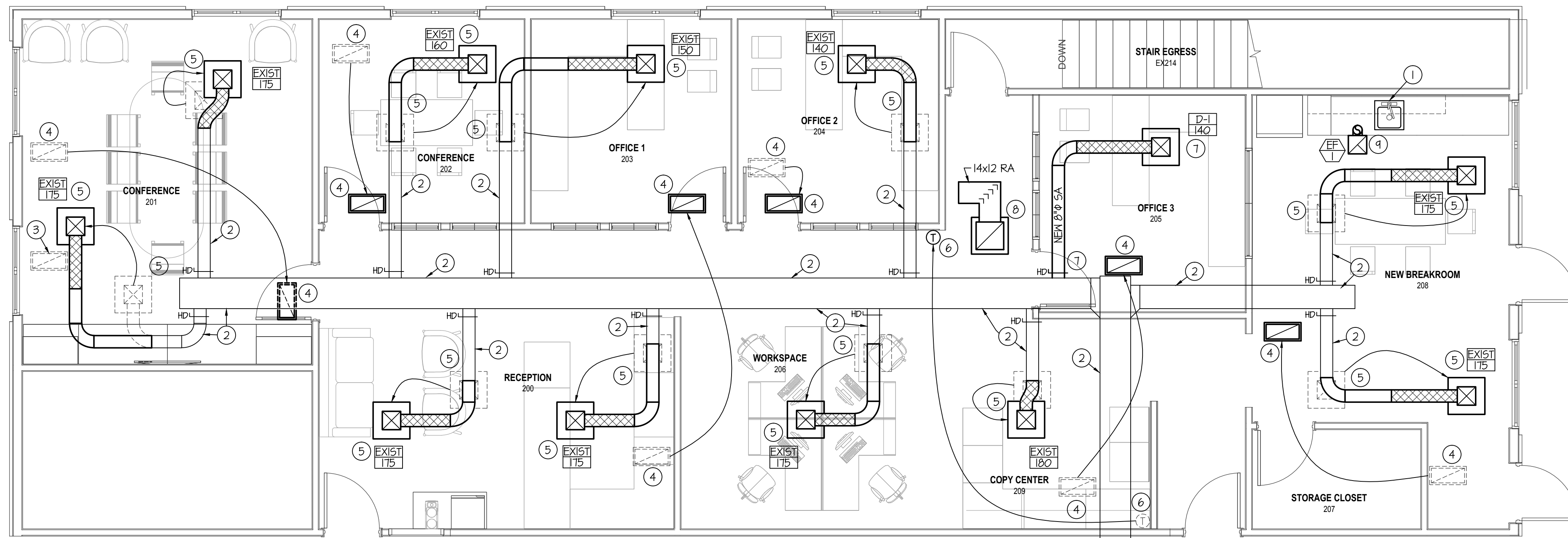


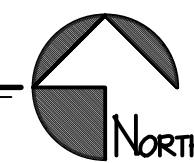
EXHAUST FAN SCHEDULE								
SYM.	TYPE	C.F.M.	S.P.E.	WATTS	CHAR.	R.P.M.	CONTROL	REMARKS
EF-1	CEILING MOUNTED	150	.40	100	120/60/1	750	WALL SWITCH	BROAN LOSONE SELECT MODEL L150 WITH BACKDRAFT DAMPER. 6" EXHAUST DUCT TO ROOF CAP

GRILLE AND REGISTER SCHEDULE									
SYM.	TYPE	SIZE	CFM RANGE	THROW PATTERN	CONSTR.	FINISH	BALANCING DAMPER	FIRE DAMPER	REMARKS
D-1 CFM	CEILING	4x4	110-280	◆	STEEL	MATCH EXISTING	NO	NA	PRICE MODEL SMD IN 24"x24" LAY-IN MODULE
R-1	CEILING	20x20	700-800	NA	STEEL	MATCH EXISTING	NA	NA	PRICE MODEL 535 IN 24"x24" LAY-IN MODULE



FLOOR PLAN - MECHANICAL

SCALE: 1/4" = 1'-0"



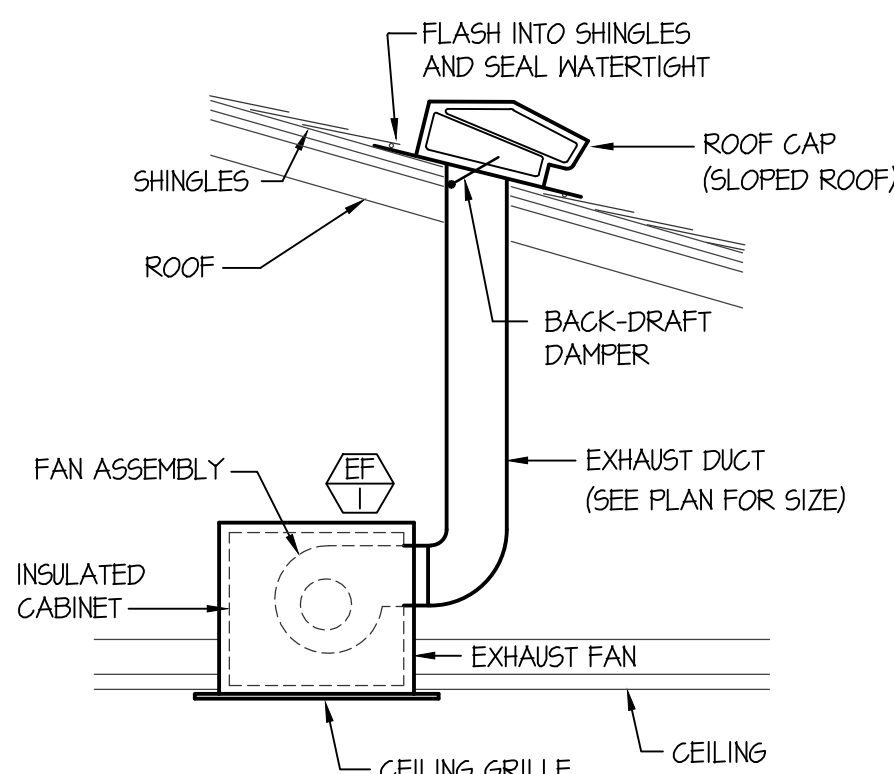
SUPPLY DUCT FROM EXIST. FURNACE F-3

PLAN NOTES:

- EXISTING SINK IN EXISTING CABINET TO REMAIN. PROTECT DURING CONSTRUCTION.
- EXISTING SUPPLY AIR DUCT TO REMAIN. PROTECT DURING CONSTRUCTION.
- REMOVE EXISTING CEILING RETURN AIR GRILLE AND BOOT.
- RELOCATE EXISTING RETURN AIR GRILLE & DUCT BOOT TO NEW LOCATION AS SHOWN.
- RELOCATE EXISTING CEILING DIFFUSER TO NEW LOCATION IN NEW CEILING GRID. EXTEND EXISTING DUCTWORK AS REQUIRED AND BALANCE TO CFM SHOWN. FIELD VERIFY EXISTING CONDITIONS.
- RELOCATE EXISTING THERMOSTAT TO NEW LOCATION. EXTEND CONDUIT AND WIRING AS REQUIRED.
- INSTALL NEW CEILING DIFFUSER AND SUPPLY DUCT AS SHOWN TO SERVE ROOM. CONNECT NEW SUPPLY DUCT TO EXISTING SUPPLY DUCT.
- INSTALL NEW RETURN GRILLE AND RETURN DUCT BOOT IN LOCATION SHOWN. SEE DETAIL THIS SHEET.
- INSTALL NEW EXHAUST FAN IN CEILING GRID AND RUN 6" EXHAUST DUCT FROM FAN TO ROOF CAP ABOVE. SEAL ROOF PENETRATION WEATHERTIGHT. SEE DETAIL THIS SHEET.

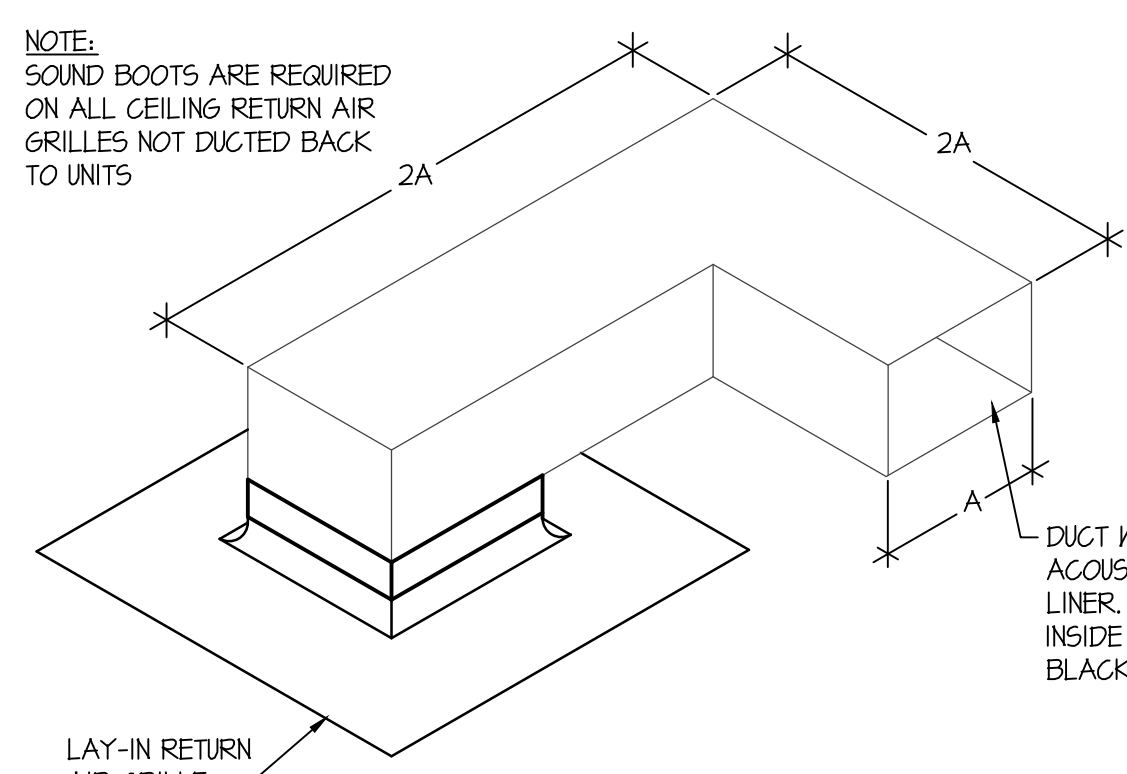
GENERAL NOTES:

- A- THE CONTRACTOR SHALL CHECK AND VERIFY ALL DIMENSIONS AND CONNECTIONS ON THE JOB SITE. ALL WORK SHALL BE EXECUTED FROM MEASUREMENTS TAKEN AT THE SITE.
- B- THE MECHANICAL CONTRACTOR SHALL BE RESPONSIBLE TO INSURE PROPER CODE CLEARANCES FOR ELECTRICAL AND MECHANICAL ACCESS WHEN INSTALLING ANY EQUIPMENT SUPPLIED BY THE MECHANICAL CONTRACTOR.
- C- IT IS CRITICAL THAT THIS CONTRACTOR COORDINATE EQUIPMENT LOCATIONS WITH PIPING, DUCTWORK, ELECTRICAL CONDUIT AND BUILDING STRUCTURE TO INSURE CODE COMPLIANCE.
- D- CEILING DIFFUSERS ARE SHOWN IN APPROXIMATE LOCATIONS. REFER TO LIGHTING PLANS AND REFLECTED CEILING PLAN FOR EXACT LOCATIONS.
- E- DUCT DIMENSIONS CALLED OUT ON DRAWINGS ARE INSIDE FREE AREA DIMENSIONS. 1/2" ACOUSTICAL DUCT LINER IS TO BE ADDED TO OVERALL MEASUREMENTS.
- F- ALL DUCTWORK AND PIPING WHICH PASSES THRU FIRE RATED WALLS TO BE FIRE STOPPED WITH APPROVED FOAM OR SEALANT.



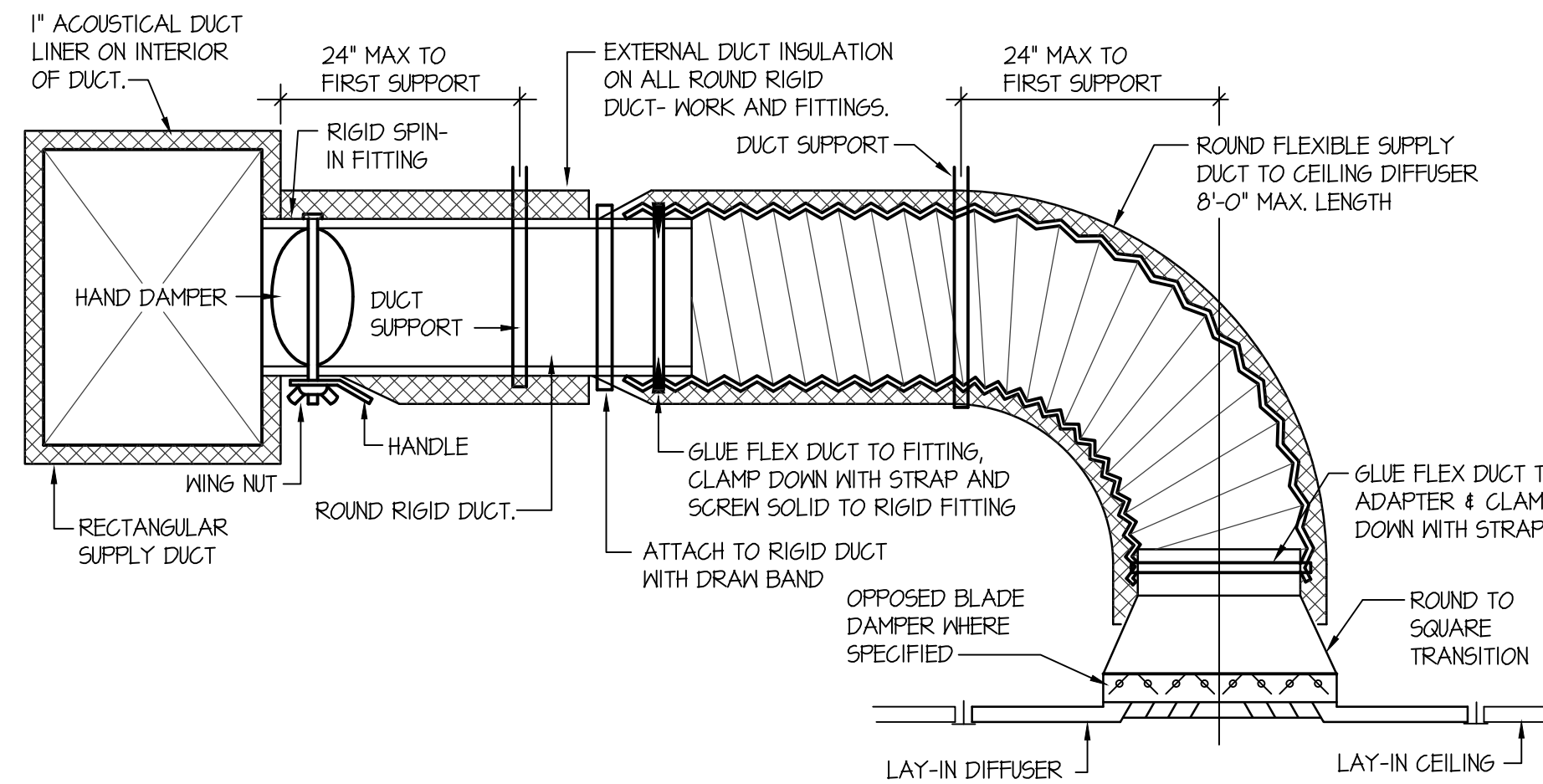
CEILING MOUNTED EXHAUST FAN DETAIL

NO SCALE



SOUND BOOT DETAIL

NO SCALE



CEILING DIFFUSER DETAIL WITH FLEXIBLE DUCT

NO SCALE

SEAL

REV. DATE DESCRIPTION
8-16-19 PERMITTING SET

New Tenant Improvement For:
STEWART TITLE
1638 N. Washington Blvd.
North Ogden, Utah 84404

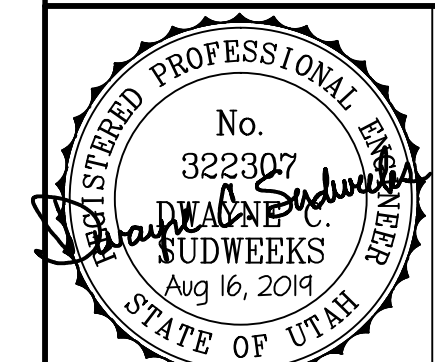
PROJECT:

SHEET TITLE:

SHEET NUMBER:

M101

DO NOT SCALE DRAWING



Engineered Systems Associates
1355 EAST CENTER
POCATELLO, IDAHO 83201
PHONE: (208) 233-0501
FAX: (208) 233-0529
EMAIL: esa@engsystems.com
ESA JOB NUMBER: 19054